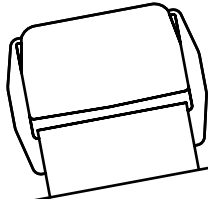
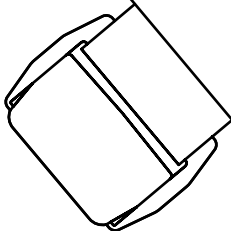
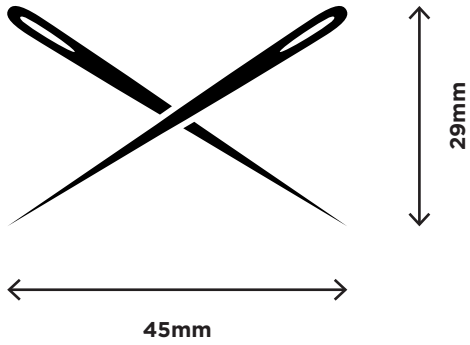


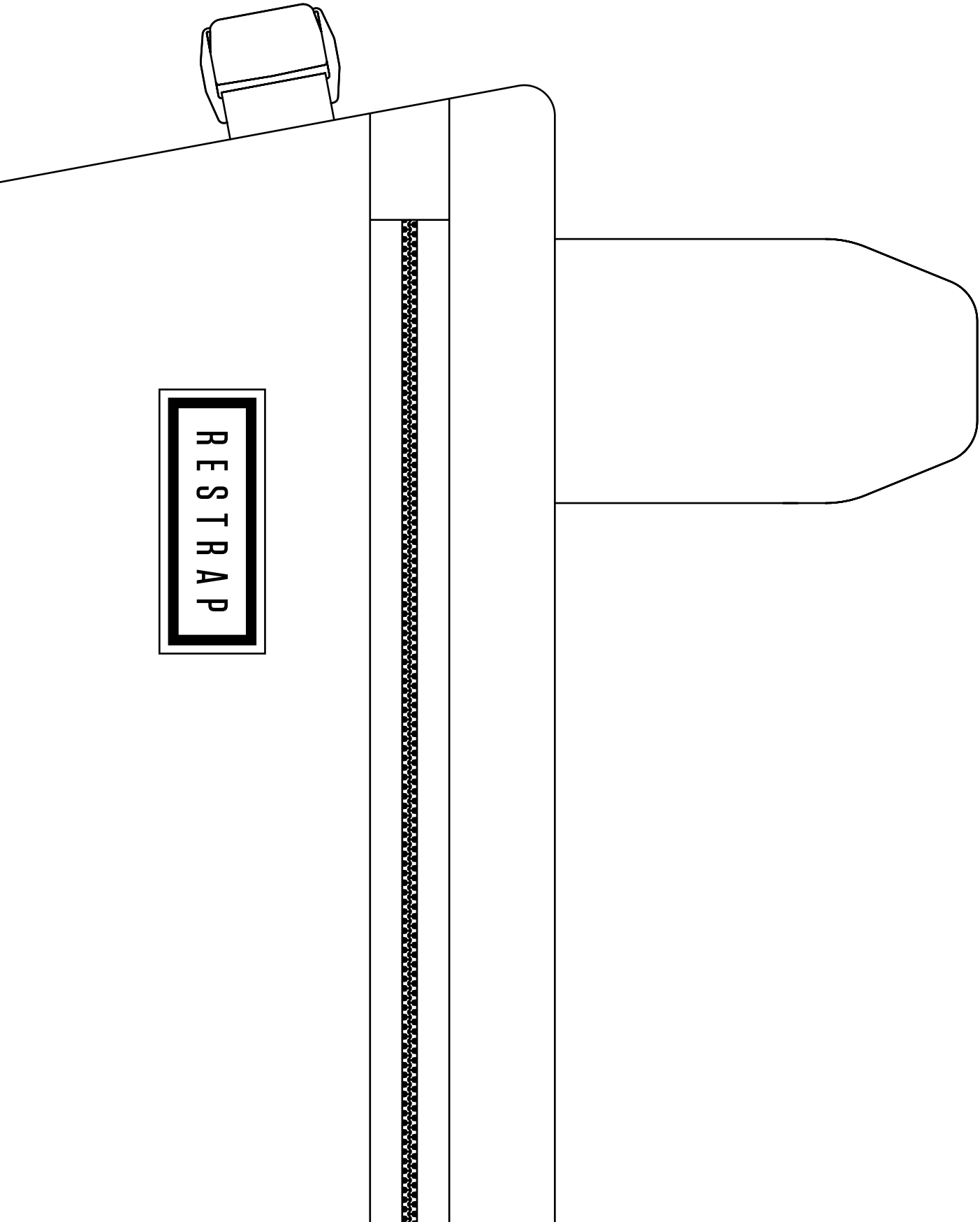
RESTRAP

TECHNICAL BIKEPACKING GEAR



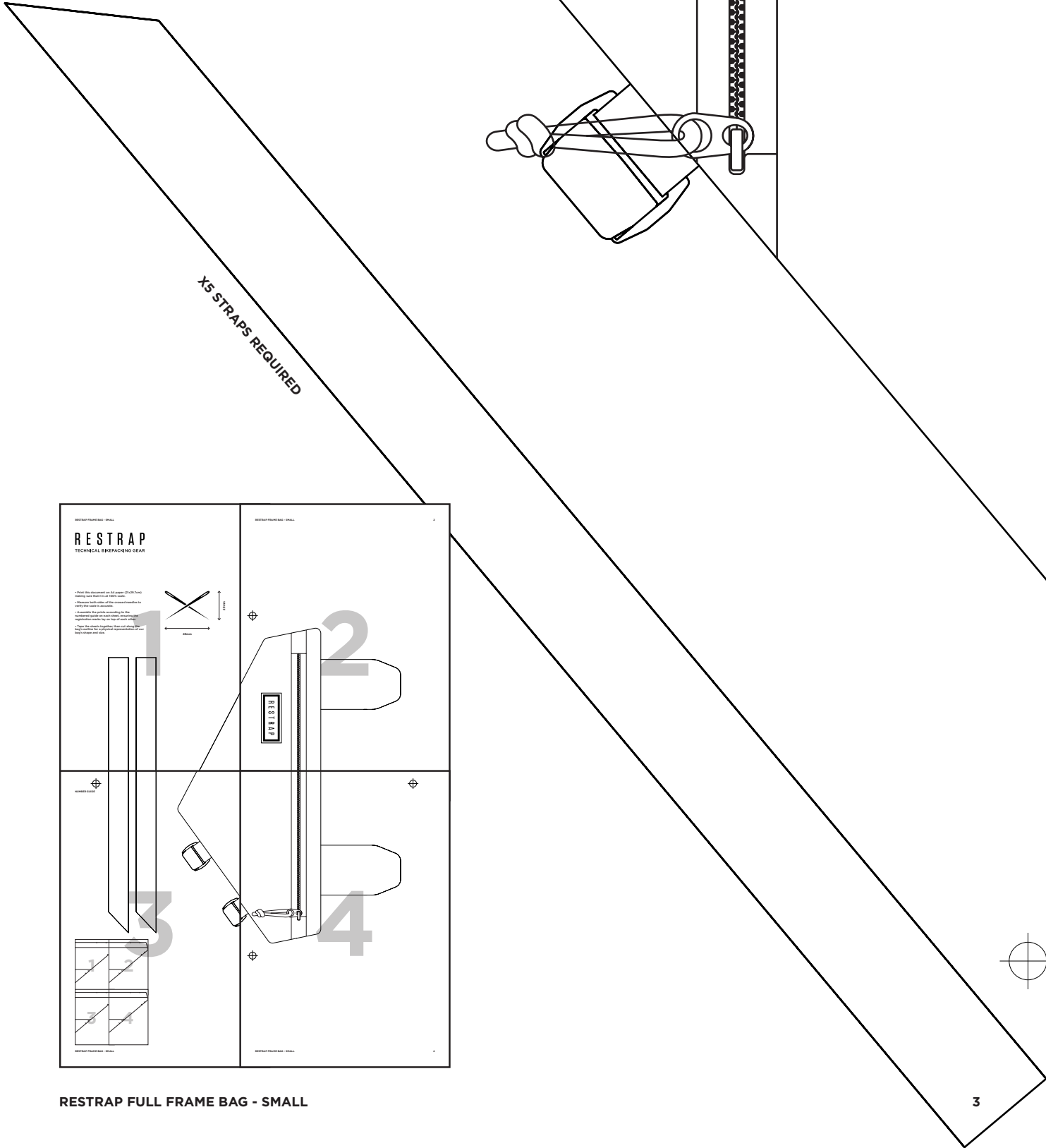
- Print this document on US Letter paper (8.5x11in) making sure that it is at 100% scale.
- Measure both sides of the crossed needles to verify the scale is accurate.
- Assemble the prints according to the numbered guide on each sheet, ensuring the registration marks lay on top of each other.
- Tape the sheets together, then cut along the bag's outline for a physical representation of our bag's shape and size.







NUMBER GUIDE



RESTRAP
TECHNICAL BIKERACKING GEAR

FROM THE MANUFACTURER OF ALL THINGS (PUSH) FROM
MOUNTAIN BIKE TO THE MOST ADVANCED
OFF-ROAD BIKE

1. **Preparation:** Cut all straps (2000Dyne) to the length that fits at 100% load.

2. **Preparation:** Cut all straps (2000Dyne) to the length that fits at 100% load.

3. **Assembly:** See the assembly diagram for the correct way to attach the strap to the bag.

4. **Check:** The strap length should be checked at 100% load.

RESTRAP FULL FRAME BAG - SMALL

RESTRAP FULL FRAME BAG - SMALL

